



ZARGEN



G*GRASS®

ZARGEN DRAWER SYSTEM

The metal drawer system that provides flexibility to please the most demanding design needs.







The Zargen Drawer system offers a tried and tested technology.

Maximum design versatility.

For years the Zargen metal drawer system has provided cabinet makers the quality and functionality expected of GRASS hardware along with the flexibility to design your own drawer space. The versatile metal drawer system offers deep drawers and standard drawers, pullout shelves and inset drawers, full extension drawers and railing systems. Zargen offers endless possibilities for the enduser. Now made in the USA.



ZARGEN DRAWER SLIDE SYSTEMS

Versatile. Reliable. Proven.
Zargen delivers superior performance
with tried-and-tested technology.

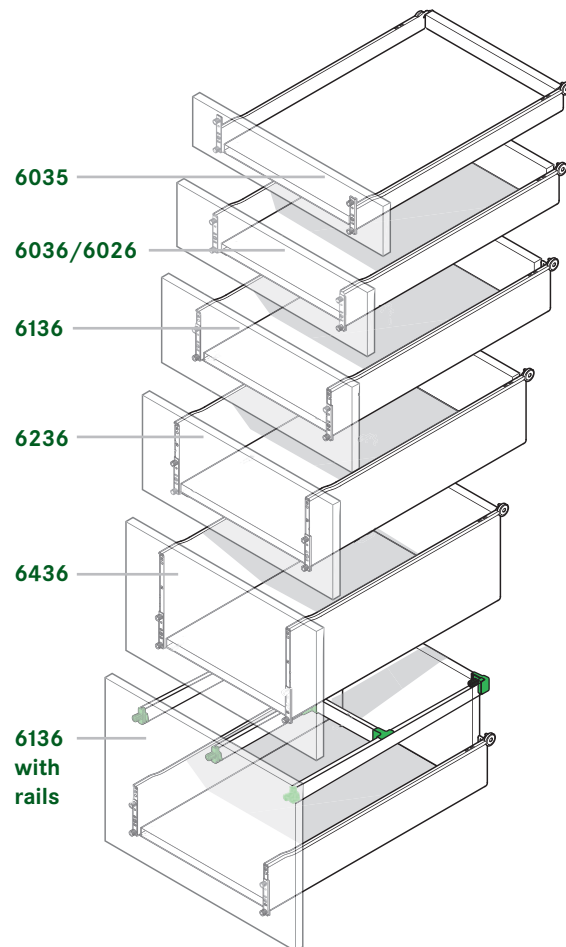


Flexibility to the most demanding design needs.

From residential and office furniture to commercial and institutional settings, the versatile and reliable Zargen System delivers the superior performance one expects from a premium slide. Built-in positive stops act as a shock absorber protecting the drawer front from excessive impact during closing. A self-closing action, with a 60mm slope allows the drawer to close with just a gentle push. And the Zargen System offers side and height adjustments so you get perfect alignment every time.

Endless possibilities

A well-organized storage system creates efficiency. The Zargen slide system is designed with completely interchangeable components. From cabinet members to full extension members to high sides to railing systems, the drawer system provides the flexibility to please the most demanding design needs for any application.














Endless Possibilities



Grass Zargen



Table of content

	Description	Page
	Technical Information	6
	Zargen 6436 <ul style="list-style-type: none"> • 213 mm [8 3/8"] Side Height • Integrated drawer slide and side 	8
	Zargen 6236 <ul style="list-style-type: none"> • 149 mm [5 7/8"] Side Height • Integrated drawer slide and side 	9
	Zargen 6136 <ul style="list-style-type: none"> • 117 mm [4 5/8"] Side Height • Integrated drawer slide and side 	10
	Zargen 6036 <ul style="list-style-type: none"> • 85 mm [3 3/8"] Side Height • Integrated drawer slide and side 	11
	Zargen 6026 <ul style="list-style-type: none"> • 85 mm [3 3/8"] Side Height • Integrated drawer slide and side 	12
	Zargen 6035 <ul style="list-style-type: none"> • 43 mm [1 1/8"] Side Height • Integrated drawer slide and side 	13
	Zargen 6200 <ul style="list-style-type: none"> • Full Extension Slide Member • For use with all Zargen slides 	14
	Roller Slide 6610 <ul style="list-style-type: none"> • For pull out shelf • Bottom mount slide 	15
	Zargen 6100 <ul style="list-style-type: none"> • Railing System • For use with all Zargen slides 	16
	Pendaflex File Railing <ul style="list-style-type: none"> • Three file systems available • Easy to construct 	18 - 19
	Accessories	20 - 23

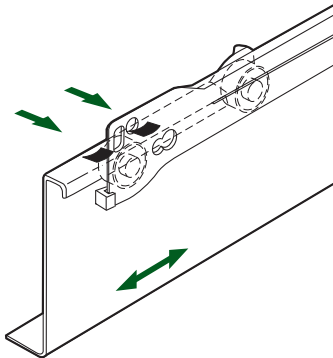




Technical Information

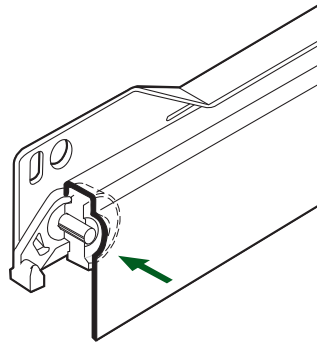
for Zargen

Double Stop



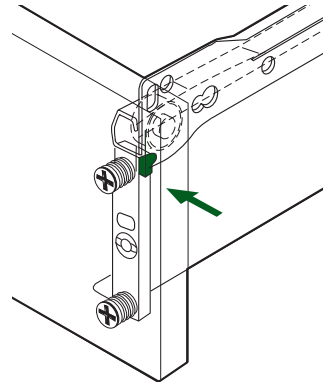
The double stop prevents the drawer from falling out while being extended. In addition, the drawer can be locked in the open position.

Rollers



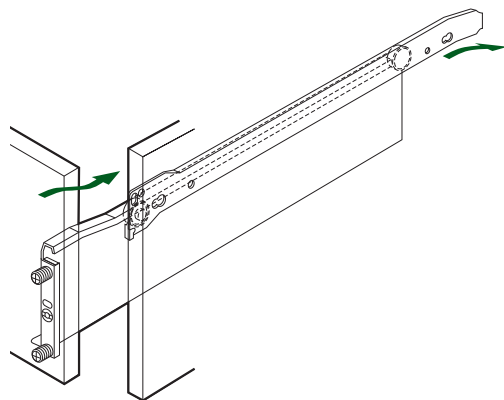
Special rollers provide lateral stability and a smooth glide. The rollers are tested for durability, and washers behind the rollers ensure stability throughout the tested lifetime.

Built-in Stop



The integrated drawer stop protects the drawer front from impact during closing. Furthermore, it acts as a shock absorber and a self-alignment feature for the drawer fronts.

Closing



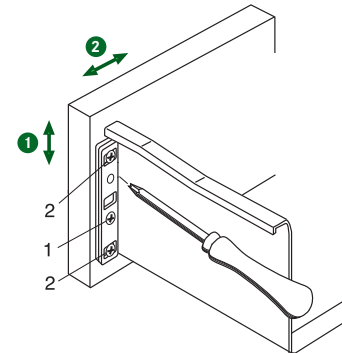
Self-Closing The distinctive feature of all Grass drawer slides. From a range of 2 3/8" [60 mm] out, the drawer closes quietly and smoothly. Drawers closed with force will not bounce back.

Minimum Reveal Minimum reveals are required between fronts due to the specifically formed closing action.

Parallel Closing The parallel closing action keeps the drawer front properly aligned with the cabinet front. Cabinet members feature elongated holes for height adjustment.

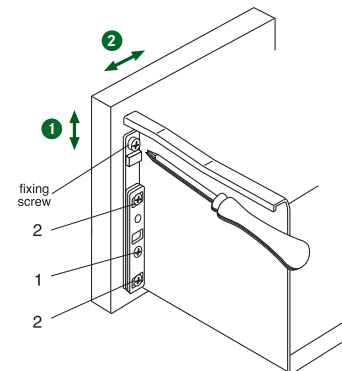
Adjustment Features 6036, 6035

- 1 Height Adjustment: Loosen screws 2 slightly. Adjust screw 1 (adjustment +/-2mm). Tighten screws 2.
- 2 Side Adjustment: Loosen screws 2 slightly. Adjust front to required position (adjustment range $\pm 1.5\text{mm}$). Tighten screws 2.



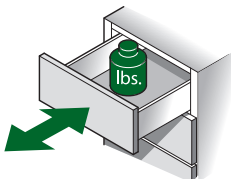
Adjustment Features 6436, 6236, 6136

- 1 Height Adjustment: Loosen screws 2 slightly. Adjust screw 1 (adjustment +/-2mm). Tighten screws 2.
- 2 Side Adjustment: Loosen screws 2 slightly. Adjust front to required position (adjustment range $\pm 1.5\text{mm}$). Tighten screws 2.



After adjusting front panel, mount fixing screw.

Weight Capacity per pair of slides



Zargen: 100 lbs dynamic load rating; 100 lbs static load rating.



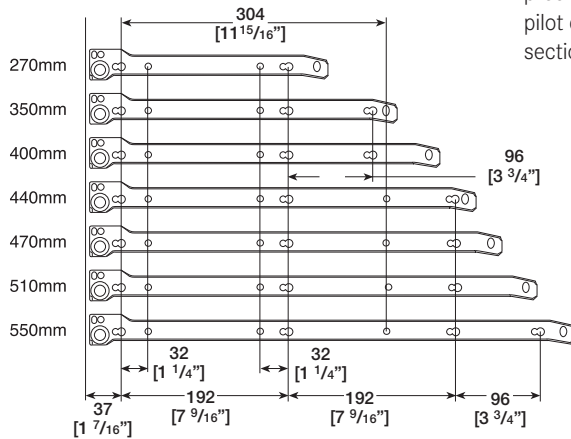


Technical Information

for Zargen

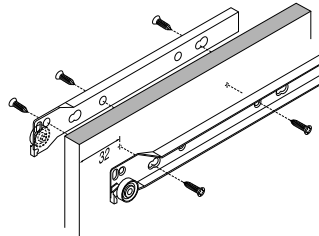
Cabinet Member

To simplify installation of the cabinet member, a unique double-hole pattern for 32mm and 37mm setback has been developed.



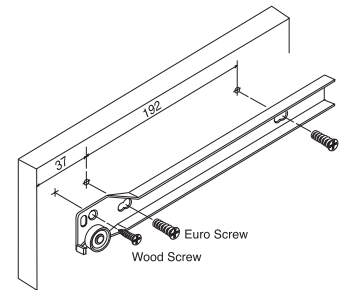
Installation with Wood Screws

With Wood Screws (#6x5/8" Flat Head Phillips) the cabinet member is screwed directly on the end panel. To guarantee precise positioning, pre-center with a Grass pilot drill. For wood screws, use the front section of the double hole.



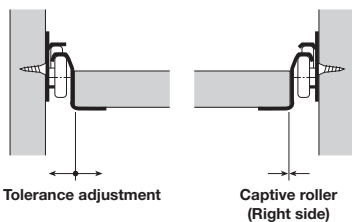
Installation with Euro Screws

With Euro Screws (Flat Head Phillips) the cabinet member can be fastened into a pre-drilled 32mm hole system. See drawing to the left for all fastening positions.



Captive Rollers

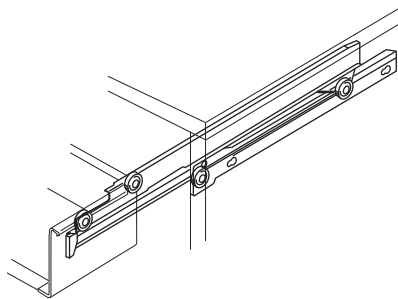
Manufacturing often is accompanied by tolerance problems. To avoid this situation, Grass slides are designed to eliminate side movement of the drawer. After installation, the right drawer member blends perfectly with the right cabinet member for guidance; the left side allows for cutting tolerance of the drawer and the cabinet components.



Note: 6034 slide shown

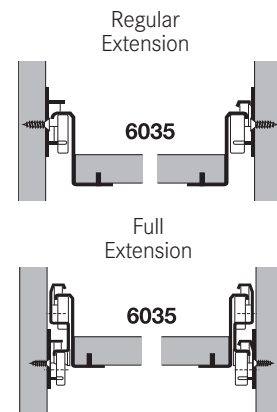
Full Extension Slide

Using the 6200 member, the slide becomes fully extendible. An already existing drawer does not have to be altered. Only the cabinet member needs to be lowered 32mm.



One Cabinet Member Slide System

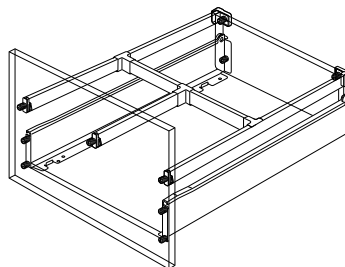
All slides of the Zargen system utilize the same cabinet member. The 6200 member can be inserted into the slides below when a full extension is needed. The example shown is 6035, see page 13 for more information.



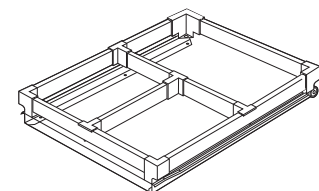
System Organization

A unique feature of the Zargen System is its universal adaptability in cabinetry. The system offers function, drawer space utilization and economy. The Zargen System solves all organizational requirements with regular drawers, inset pull-outs, divider railings and more.

Slide with railing (6036, 6100)



Pull-out railing (6610, 6100)





Zargen 6436

213mm [8 3/8"] Side Height



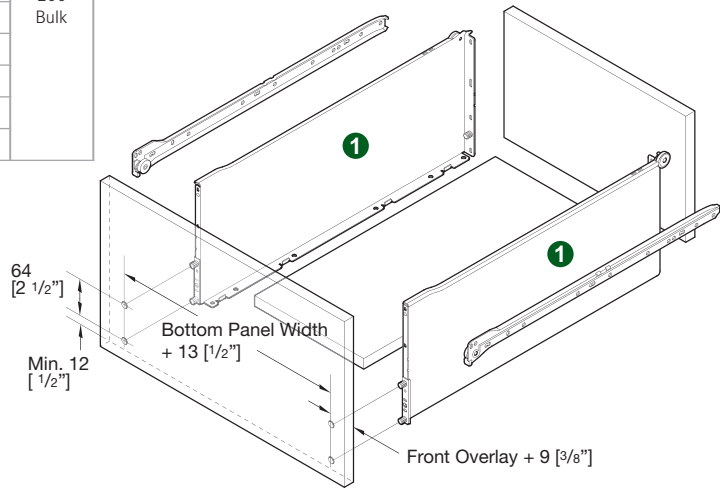
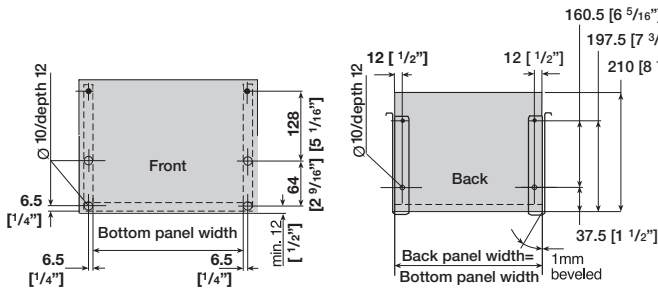
- Integrated drawer slide and drawer side
- Self-closing feature with 60 mm [2 3/8"] closing range
- Built-in drawer front bumpers
- Quick assembly through dowelled and integrated front fixing brackets
- White epoxy finish
- Tolerance adjustment 2 mm [3/32"]
- Load capacity: 100 lbs.
- Adjustments: Cam Height [± 2 mm], Side [± 1.5 mm]
- Made in the USA

Technical:

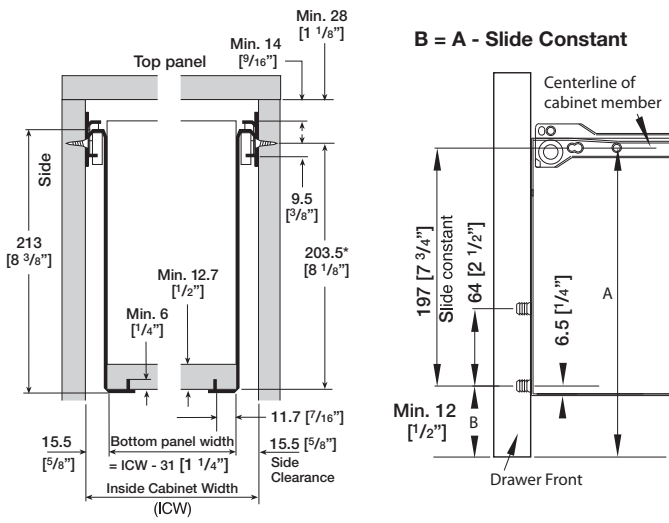
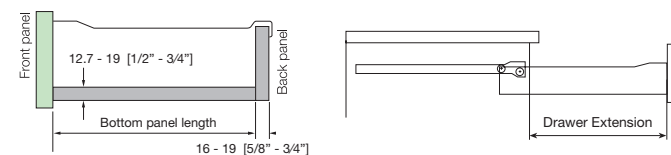
- Drawer slide attachment:
 - Wood screws #6 x 5/8 FHP
 - Euro screw lengths 18 mm, 13 mm, 7.5 mm
- Bottom panel thickness: 12.7 - 19 mm [1/2" - 3/4"]
- Back panel thickness: 16 - 19 mm [5/8" - 3/4"]
- Back panel height: 210 mm [8 1/4"]

6436

ID	Description	Length	Item No.	PU	Item No.	PU
1	Zargen 6436 213 mm [8 3/8"] Side Height	350 [13 3/4"]	22910-03	5 Sets	-	200 Bulk
		400 [15 3/4"]	22911-03		-	
		440 [17 3/8"]	22708-03		-	
		470 [18 1/2"]	22709-03		-	
		510 [20 1/8"]	22710-03		22710-12	
		550 [21 3/8"]	22711-03		22711-12	



Slide Length	Bottom Panel Length		Drawer Extension	
	16mm [5/8"] Back Panel	19mm [3/4"] Back Panel	Single Stop	Double Stop
350 [13 3/4"]	331 [13 1/8"]	328 [12 15/16"]	280 [11"]	-
400 [15 3/4"]	381 [15"]	378 [14 7/8"]	300 [11 13/16"]	314 [12 3/8"]
440 [17 3/8"]	421 [16 5/16"]	418 [16 7/16"]	340 [13 3/8"]	354 [13 13/16"]
470 [18 1/2"]	451 [17 3/4"]	448 [17 3/8"]	370 [14 5/16"]	384 [15 1/8"]
510 [20 1/8"]	491 [19 3/16"]	488 [19 3/16"]	410 [16 1/8"]	424 [16 1/16"]
550 [21 3/8"]	531 [20 5/8"]	528 [20 13/16"]	450 [17 1/16"]	464 [18 1/4"]



*Allow minimum of 3mm [1/8"] for bottom clearance. If screws are used, increase clearance accordingly.

PU = Packing Unit





Zargen 6236

149mm [5 7/8"] Side Height



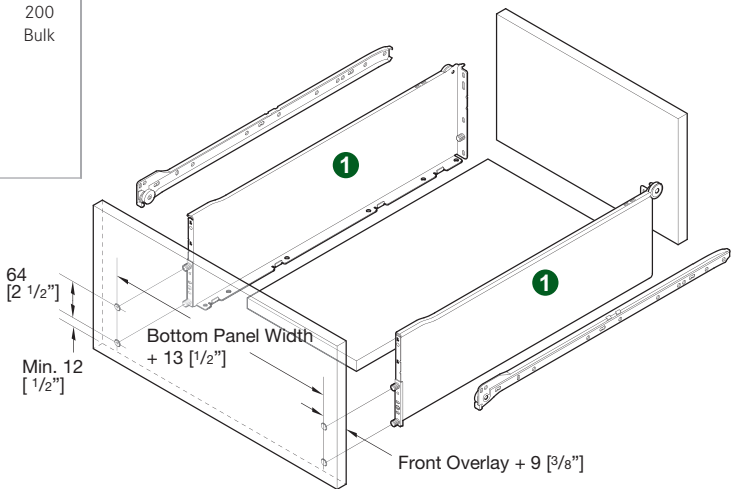
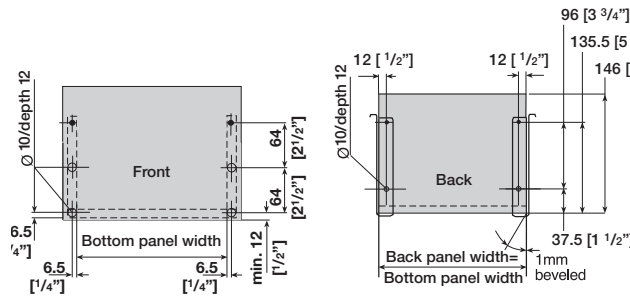
- Integrated drawer slide and drawer side
- Self-closing feature with 60 mm [2 3/8"] closing range
- Built-in drawer front bumpers
- Quick assembly through dowelled and integrated front fixing brackets
- White epoxy finish
- Tolerance adjustment 2 mm [3/32"]
- Load capacity: 100 lbs.
- Adjustments: Cam Height [± 2 mm], Side [± 1.5 mm]
- Made in the USA

Technical:

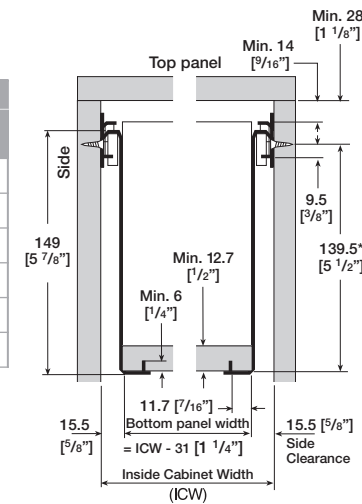
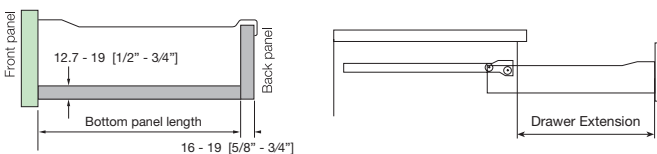
- Drawer slide attachment:
 - Wood screws #6 x 5/8 FHP
 - Euro screw lengths 18 mm, 13 mm, 7.5 mm
- Bottom panel thickness: 12.7 - 19 mm [1/2" - 3/4"]
- Back panel thickness: 16 - 19 mm [5/8" - 3/4"]
- Back panel height: 146 mm [5 3/4"]

6236

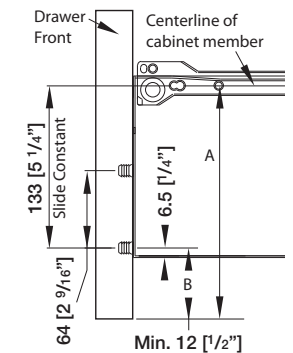
ID	Description	Length	Item No.	PU	Item No.	PU
1	Zargen 6236 149 mm [5 7/8"] Side Height	350 [13 3/4"]	22908-03	5	22908-12	200
		400 [15 3/4"]	22909-03	Sets	22909-12	Bulk
		440 [17 3/4"]	22704-03		22704-12	
		470 [18 1/2"]	22705-03		22705-12	
		510 [20 1/8"]	22706-03		22706-12	
		550 [21 3/8"]	22707-03		22707-12	



Slide Length	Bottom Panel Length		Drawer Extension	
	16mm [5/8"] Back Panel	19mm [3/4"] Back Panel	Single Stop	Double Stop
350 [13 3/4"]	331 [13 1/8"]	328 [12 1/8"]	280 [11"]	-
400 [15 3/4"]	381 [15"]	378 [14 3/8"]	300 [11 13/16"]	314 [12 3/8"]
440 [17 3/4"]	421 [16 5/16"]	418 [16 1/8"]	340 [13 3/8"]	354 [13 15/16"]
470 [18 1/2"]	451 [17 3/8"]	448 [17 3/8"]	370 [14 5/16"]	384 [15 1/8"]
510 [20 1/8"]	491 [19 5/16"]	488 [19 3/16"]	410 [16 1/8"]	424 [16 15/16"]
550 [21 3/8"]	531 [20 7/8"]	528 [20 13/16"]	450 [17 1/2"]	464 [18 1/4"]



B = A - Slide Constant



PU = Packing Unit

*Allow minimum of 3mm [1/8"] for bottom clearance. If screws are used, increase clearance accordingly.





Zargen 6136

117mm [4 5/8"] Side Height



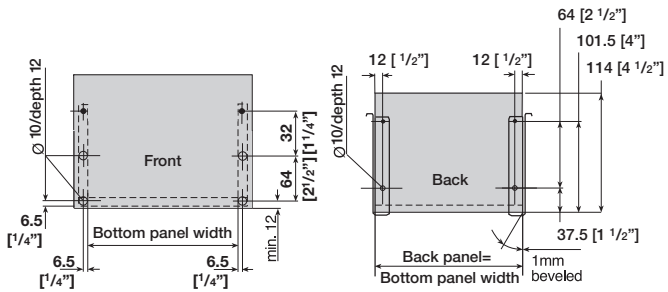
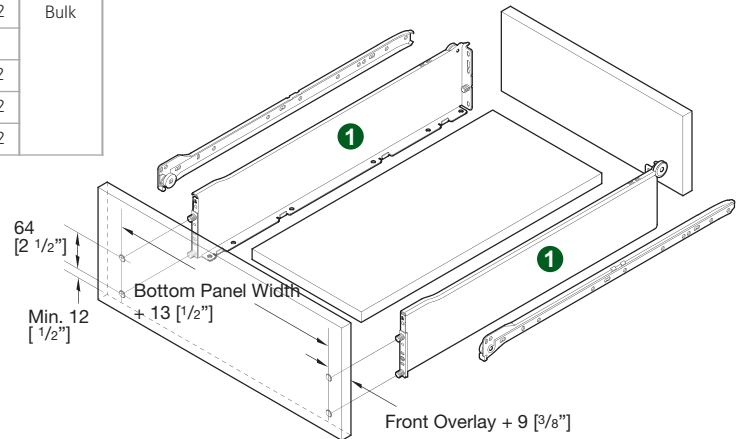
- Integrated drawer slide and drawer side
- Self-closing feature with 60 mm [2 3/8"] closing range
- Built-in drawer front bumpers
- Quick assembly through dowelled and integrated front fixing brackets
- White epoxy finish
- Tolerance adjustment 2 mm [3/32"]
- Load capacity: 100 lbs.
- Adjustments: Cam Height [± 2 mm], Side [± 1.5 mm]
- Made in the USA

Technical:

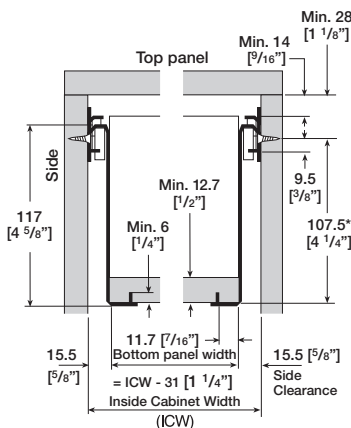
- Drawer slide attachment:
 - Wood screws #6 x 5/8 FHP
 - Euro screw lengths 18 mm, 13 mm, 7.5 mm
- Bottom panel thickness: 12.7 - 19 mm [1/2" - 3/4"]
- Back panel thickness: 16 - 19 mm [5/8" - 3/4"]
- Back panel height: 114 mm [4 1/2"]

6136

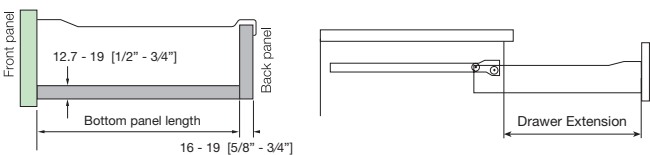
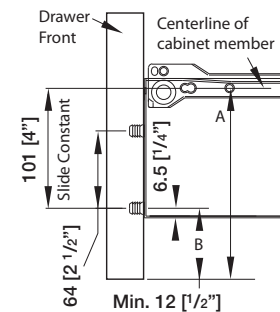
ID	Description	Length	Item No.	PU	Item No.	PU
1	Zargen 6136 117 mm [4 5/8"] Side Height	350 [13 3/4"]	22906-03	5 Sets	-	200 Bulk
		400 [15 3/4"]	22907-03		22907-12	
		440 [17 3/8"]	22700-03		-	
		470 [18 1/2"]	22701-03		22701-12	
		510 [20 1/8"]	22702-03		22702-12	
		550 [21 3/8"]	22703-03		22703-12	



Slide Length	Bottom Panel Length		Drawer Extension	
	16mm [5/8"] Back Panel	19mm [3/4"] Back Panel	Single Stop	Double Stop
350 [13 3/4"]	331 [13 1/8"]	328 [12 1/8"]	280 [11"]	-
400 [15 3/4"]	381 [15"]	378 [14 3/8"]	300 [11 13/16"]	314 [12 3/8"]
440 [17 3/8"]	421 [16 1/8"]	418 [16 1/8"]	340 [13 3/8"]	354 [13 1/8"]
470 [18 1/2"]	451 [17 3/4"]	448 [17 3/8"]	370 [14 1/8"]	384 [15 1/8"]
510 [20 1/8"]	491 [19 3/8"]	488 [19 3/8"]	410 [16 1/8"]	424 [16 1/8"]
550 [21 3/8"]	531 [20 3/8"]	528 [20 1/8"]	450 [17 1/8"]	464 [18 1/4"]



B = A - Slide Constant



*Allow minimum of 3mm [1/8"] for bottom clearance. If screws are used, increase clearance accordingly.

PU = Packing Unit





Zargen 6036

6036 - 85mm [3 3/8"] Side Height



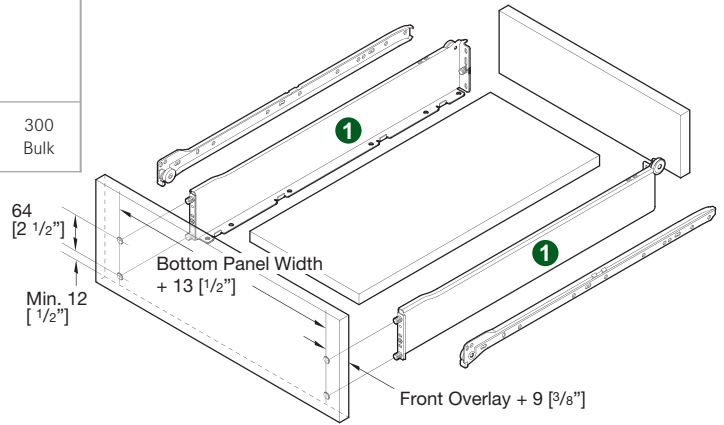
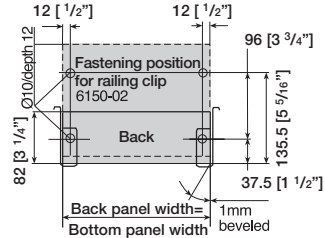
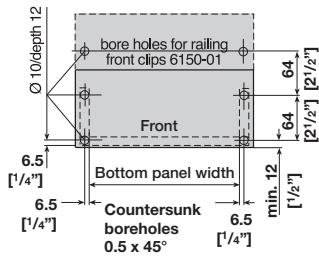
- Integrated drawer slide and drawer side
- Self-closing feature with 60 mm [2 3/8"] closing range
- Built-in drawer front bumpers
- Quick assembly through dowelled and integrated front fixing brackets
- White epoxy finish
- Tolerance adjustment 2 mm [3/32"]
- Load capacity: 100 lbs.
- Adjustments: Cam Height [± 2 mm], Side [± 1.5 mm]
- Made in the USA

Technical:

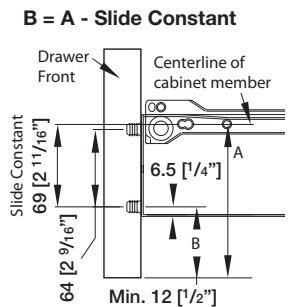
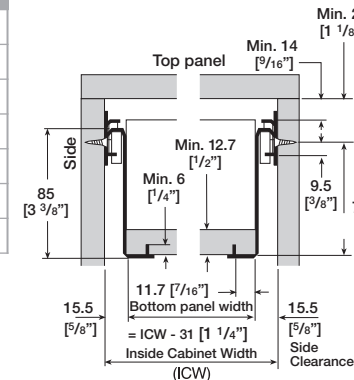
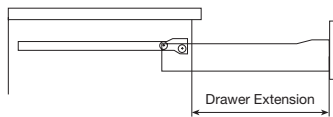
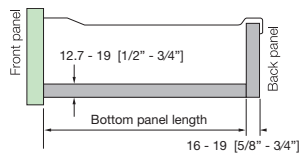
- Drawer slide attachment:
 - Wood screws #6 x 5/8 FHP
 - Euro screw lengths 18 mm, 13 mm, 7.5 mm
- Bottom panel thickness: 12.7 - 19 mm [1/2" - 3/4"]
- Back panel thickness: 16 - 19 mm [5/8" - 3/4"]
- Back panel height: 82 mm [3 1/4"]

6036

ID	Description	Length	Item No.	PU	Item No.	PU	
1	Zargen 6036 85 mm [3 3/8"] Side Height	270 [10 5/8"]	11895-04	10 Sets	11895-16	400 Bulk	
		350 [13 3/8"]	11896-04		11896-16		
		400 [15 3/8"]	12849-04		12849-16		
		440 [17 3/8"]	12850-04		12850-16		
		470 [18 1/2"]	12851-04		12851-16		
		510 [20 1/8"]	12852-04		12852-15		300 Bulk
		550 [21 1/8"]	11901-04		11901-15		



Slide Length	Bottom Panel Length		Drawer Extension	
	16mm [5/8"] Back Panel	19mm [3/4"] Back Panel	Single Stop	Double Stop
270 [10 5/8"]	251 [9 7/8"]	248 [9 3/4"]	200 [7 7/8"]	-
350 [13 3/8"]	331 [13 1/8"]	328 [12 11/16"]	280 [11"]	-
400 [15 3/8"]	381 [15"]	378 [14 5/8"]	300 [11 1/16"]	314 [12 1/2"]
440 [17 3/8"]	421 [16 5/8"]	418 [16 1/8"]	340 [13 3/8"]	354 [13 1/8"]
470 [18 1/2"]	451 [17 3/8"]	448 [17 1/8"]	370 [14 5/8"]	384 [15 1/8"]
510 [20 1/8"]	491 [19 3/8"]	488 [19 3/8"]	410 [16 1/8"]	424 [16 1/8"]
550 [21 1/8"]	531 [20 7/8"]	528 [20 11/16"]	450 [17 1/16"]	464 [18 1/2"]



*Allow minimum of 3mm [1/8"] for bottom clearance. If screws are used, increase clearance accordingly.

PU = Packing Unit





Zargen 6026

85mm [3 3/8"] Side Height



- Integrated drawer slide and drawer side
- Self-closing feature with 60 mm [2 3/8"] closing range
- Built-in drawer front bumpers
- Quick assembly through dowelled and integrated front fixing brackets
- White epoxy finish
- Tolerance adjustment 2 mm [3/32"]
- Load capacity: 100 lbs.
- Adjustments: Height [± 1.5 mm], Side [± 1.2 mm]
 - Manual adjustment by moving front to required position.
- Made in the USA

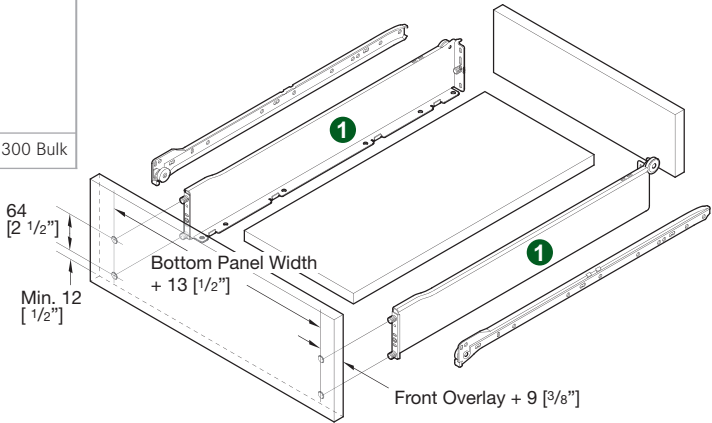
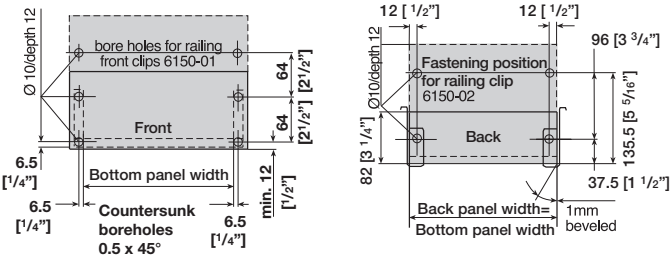
Technical:

- Drawer slide attachment:

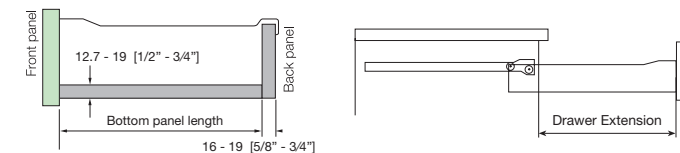
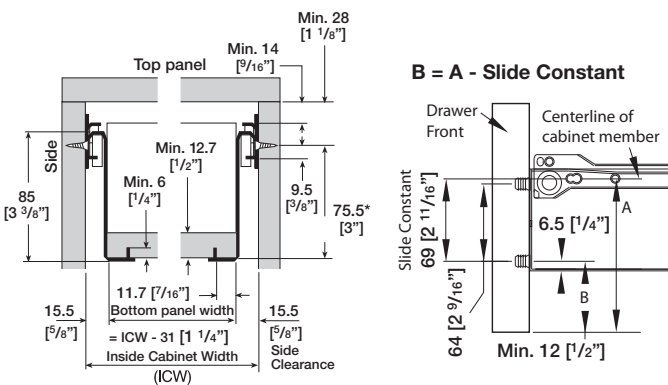
Wood screws	#6 x 5/8 FHP
Euro screw lengths	18 mm, 13 mm, 7.5 mm
- Bottom panel thickness: 12.7 - 19 mm [1/2" - 3/4"]
- Back panel thickness: 16 - 19 mm [5/8" - 3/4"]
- Back panel height: 82 mm [3 1/4"]

6026

ID	Description	Length	Item No.	PU	Item No.	PU
1	Zargen 6026 85 mm [3 3/8"] Side Height	270 [10 3/8"]	17766-04	10 Sets	-	400 Bulk
		350 [13 3/8"]	17767-04		-	
		400 [15 3/8"]	17768-04		17768-16	
		440 [17 3/8"]	11103-04		11103-16	
		470 [18 1/2"]	11128-04		11128-16	
		510 [20 1/8"]	17771-04		17771-16	
		550 [21 3/8"]	17772-04		17772-15	



Slide Length	Bottom Panel Length		Drawer Extension	
	16mm [5/8"] Back Panel	19mm [3/4"] Back Panel	Single Stop	Double Stop
270 [10 3/8"]	251 [9 7/8"]	248 [9 3/4"]	200 [7 7/8"]	-
350 [13 3/8"]	331 [13 1/8"]	328 [12 15/16"]	280 [11"]	-
400 [15 3/8"]	381 [15"]	378 [14 7/8"]	300 [11 13/16"]	314 [12 3/8"]
440 [17 3/8"]	421 [16 5/16"]	418 [16 3/8"]	340 [13 3/8"]	354 [13 13/16"]
470 [18 1/2"]	451 [17 3/8"]	448 [17 3/8"]	370 [14 3/8"]	384 [15 1/8"]
510 [20 1/8"]	491 [19 3/8"]	488 [19 3/8"]	410 [16 1/8"]	424 [16 1/8"]
550 [21 3/8"]	531 [20 5/8"]	528 [20 13/16"]	450 [17 13/16"]	464 [18 1/4"]



*Allow minimum of 3mm [1/8"] for bottom clearance. If screws are used, increase clearance accordingly.

PU = Packing Unit





Zargen 6035

43mm [1 11/16"] Side Height



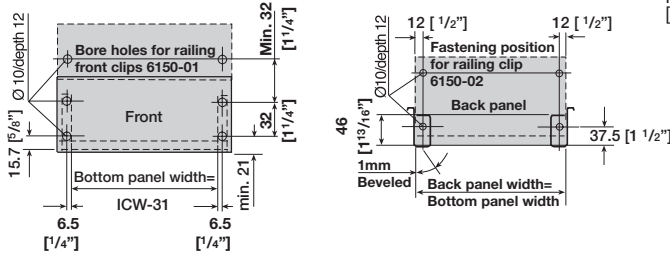
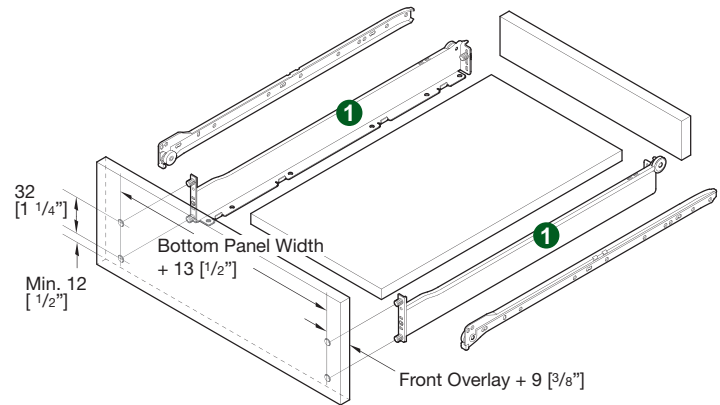
- Integrated drawer slide and drawer side
- Self-closing feature with 60 mm [2 3/8"] closing range
- Material thickness 1.3 mm [1/16"]
- Built-in drawer front bumpers
- Quick assembly through dowelled and integrated front fixing brackets
- White epoxy finish
- Tolerance adjustment 2 mm [3/32"]
- Load capacity: 100 lbs.
- Adjustments: Cam Height (± 2 mm), Side (± 1.5 mm)
- Made in the USA

Technical:

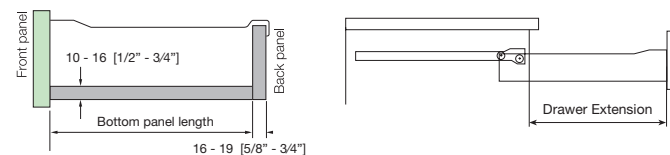
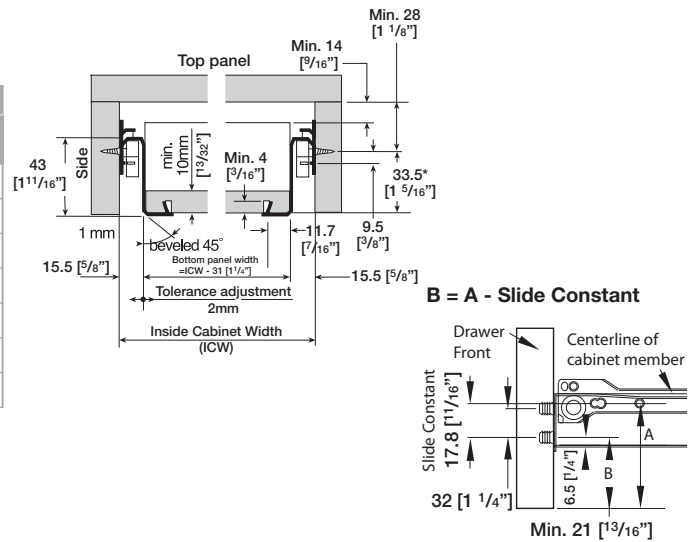
- Drawer slide attachment:
 - Wood screws #6 x 5/8 FHP
 - Euro screw lengths 18 mm, 13 mm, 7.5 mm
- Bottom panel thickness: 10 - 16 mm [1/2" - 3/4"]
- Back panel thickness: 16 - 19 mm [5/8" - 3/4"]
- Back panel height: 46 mm [1 13/16"]

6035

ID	Description	Length	Item No.	PU
1	Zargen 6035 43 mm [1 11/16"] Side Height	270 [10 3/8"]	12119-04	10 Sets
		350 [13 3/8"]	12120-04	
		400 [15 3/8"]	12121-04	
		440 [17 3/8"]	12122-04	
		470 [18 1/2"]	12123-04	
		510 [20 1/8"]	12124-04	
		550 [21 3/8"]	12125-04	



Slide Length	Bottom Panel Length		Drawer Extension	
	16mm [5/8"] Back Panel	19mm [3/4"] Back Panel	Single Stop	Double Stop
270 [10 3/8"]	251 [9 7/8"]	248 [9 3/4"]	200 [7 7/8"]	-
350 [13 3/8"]	331 [13 1/8"]	328 [12 13/16"]	280 [11"]	-
400 [15 3/8"]	381 [15"]	378 [14 7/8"]	300 [11 13/16"]	314 [12 3/8"]
440 [17 3/8"]	421 [16 5/8"]	418 [16 3/8"]	340 [13 3/8"]	354 [13 13/16"]
470 [18 1/2"]	451 [17 3/8"]	448 [17 3/8"]	370 [14 3/8"]	384 [15 1/8"]
510 [20 1/8"]	491 [19 3/8"]	488 [19 3/8"]	410 [16 1/8"]	424 [16 13/16"]
550 [21 3/8"]	531 [20 7/8"]	528 [20 13/16"]	450 [17 13/16"]	464 [18 1/4"]



*Allow minimum of 3mm [1/8"] for bottom clearance. If screws are used, increase clearance accordingly.

PU = Packing Unit



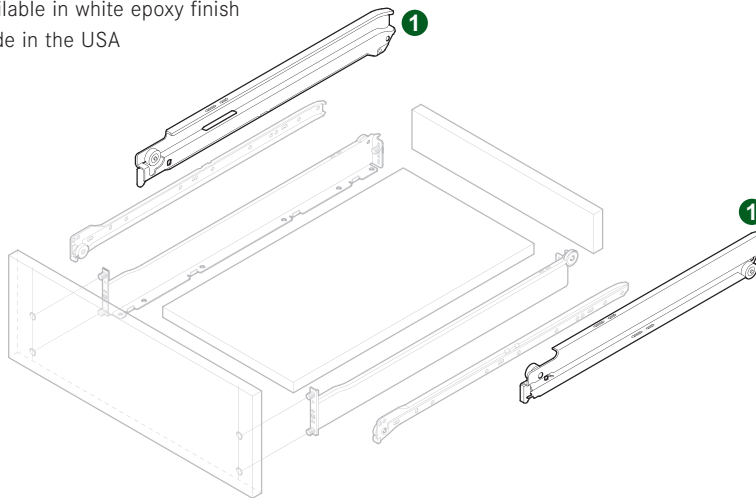


Zargen 6200

Full Extension Slide Member



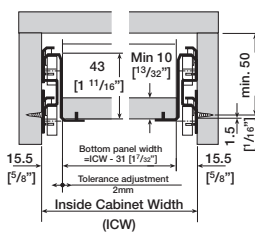
- Designed for use with Systems 6035, and 6036, 6026, 6136, 6236, and 6436
- Provides full extension of drawer shelves and pull-outs
- Inserts easily between the cabinet and drawer member
- Available in white epoxy finish
- Made in the USA



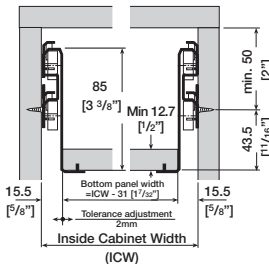
6200

ID	Description	Length	Item No.	PU
1	Zargen 6200 Full Extension Member	270 [10 3/8"]	12754-04	10 Sets
		350 [13 3/4"]	12755-04	
		400 [15 3/4"]	12756-04	
		440 [17 3/8"]	12757-04	
		470 [18 1/2"]	12758-04	
		510 [20 1/2"]	12759-04	
		550 [21 3/8"]	12760-04	

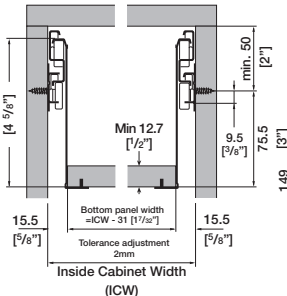
System 6035



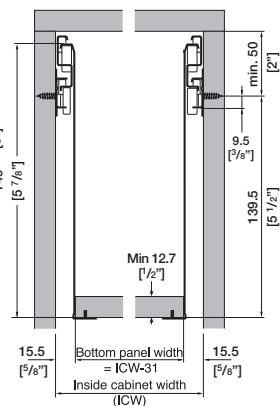
System 6036/6026



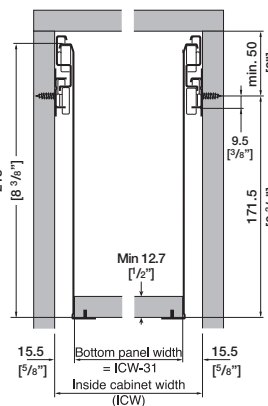
System 6136



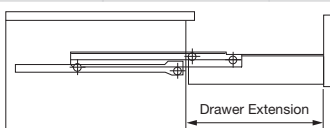
System 6236



System 6436

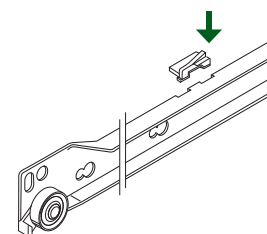


Slide Length	Drawer Extension	
	Single Stop	Double Stop
270 [10 3/8"]	275 [10 13/16"]	-
350 [13 3/4"]	355 [14"]	-
400 [15 3/4"]	405 [15 15/16"]	419 [16 3/8"]
440 [17 3/8"]	445 [17 1/2"]	459 [18 1/8"]
470 [18 1/2"]	475 [18 15/16"]	489 [19 1/4"]
510 [20 1/2"]	515 [20 1/4"]	529 [20 13/16"]
550 [21 3/8"]	555 [21 3/8"]	569 [22 3/8"]



6200 Member Installation

1. Attach clip to left cabinet member to prevent full extension member from slipping.
2. Mount cabinet member of the drawer slide (System 6035, 6026, 6036, 6136, 6236 or 6436) according to installation measurements.
3. Install full extension slide member by simple insertion.
4. Insert drawer, pull-out or shelf.



Spare guide clip

Item # 61440-38

10 pcs. per bag

PU = Packing Unit

*Allow minimum of 3mm [1/8"] for bottom clearance. If screws are used, increase clearance accordingly.





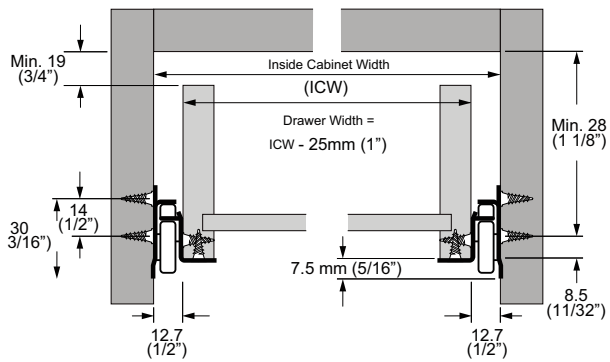
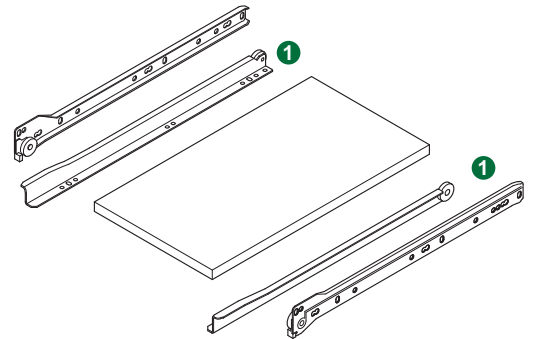
6610 Roller Slide for pull-out shelf



- Bottom mounted with additional side mounting holes for convenience
- Features 60mm (2 5/8") parallel self-closing action
- Adapts to frame or frameless construction
- Available in white epoxy finish
- Made in USA

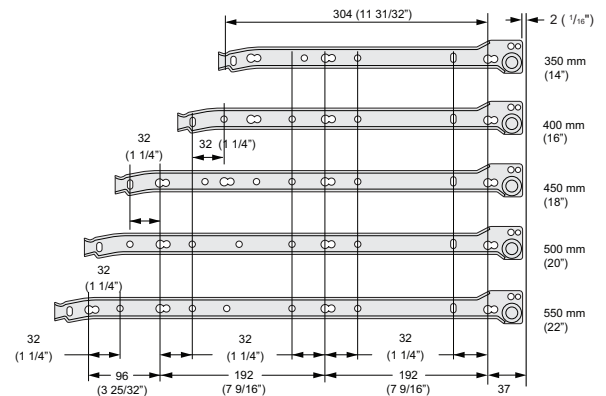
6610 Roller Slide, 100 lbs

ID	Description	Nominal Length	Color	Item No.	PU
	6610/350	350mm (14")	White	30750-05	20
	6610/400	400mm (16")	White	30751-05	20
1	6610/450	450mm (18")	White	30752-05	20
	6610/500	500mm (20")	White	30753-05	20
	6610/550	550mm (22")	White	30754-05	20



Slide Length	Single stop drawer extension (A)	Double stop drawer extension (B)
350mm (14")	220mm (8 11/16")	235mm (9 1/4")
400mm (16")	270mm (10 5/8")	285mm (11 1/4")
450mm (18")	320mm (12 5/8")	335mm (13 3/16")
500mm (20")	370mm (14 9/16")	385mm (15 3/16")
550mm (22")	420mm (16 9/16")	435mm (17 1/8")

Mounting positions for cabinet profile



PU = Packing Unit

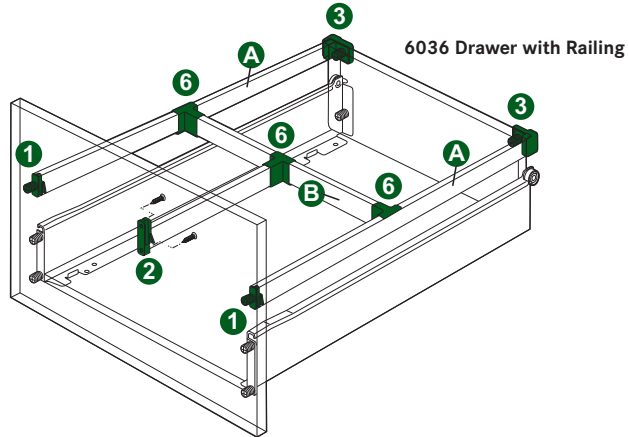




Zargen 6100 Railing System



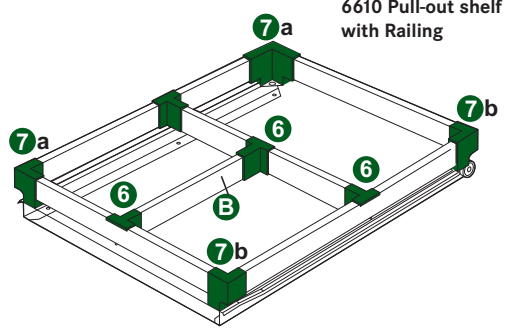
- Designed for use with Systems 6610, 6035, 6036, 6026, 6136, and 6236
- Easy to construct
- Allows end user to customize storage space
- Includes convenient rail dividers
- Available in white



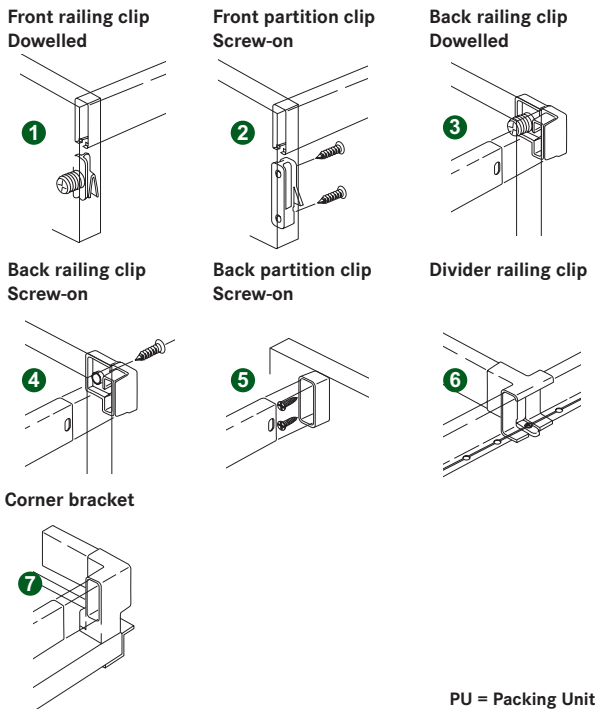
6100 - Railing System

ID	Description	Length	Ref No.	Item No.	PU
A	Zargen 6100-02 Side Railing	270 [10 3/8"]	6100-02 265 [10 3/8"]	96849-05	20 Pcs.
		350 [13 3/8"]	6100-02 345 [13 3/8"]	98128-05	
		400 [15 3/8"]	6100-02 395 [15 3/8"]	96773-05	
		440 [17 3/8"]	6100-02 435 [17 3/8"]	96774-05	
		470 [18 1/2"]	6100-02 465 [18 1/2"]	96775-05	
		510 [20 1/8"]	6100-02 505 [20"]	96776-05	
B	Zargen 6100-02 Divider Railing	*Railing length 1000 [39 3/8"]	6100-02 1000 [39 3/8"]	96783-05	

*Cut to size.



ID	Description	Ref No.	Item No.	PU
1	Front railing clip, dowelled	6150/01	96360-39	20
2	Front partition clip, screw-on	6150/HF 4.2	98829-39	20
3	Back railing clip, dowelled	6150/02	96719-42	100
4	Back railing clip, screw-on	6150/03	96769-39	20
5	Back partition clip, screw-on	6150-20/4.2	97480-39	20
6	Divider railing clip	6180/01	96770-39	20
7a	Corner bracket, left hand	6190-01	96771-39	20
7b	Corner bracket, right hand	6190/02	96772-39	20



PU = Packing Unit





Zargen

Railing for single gallery pull-out shelves



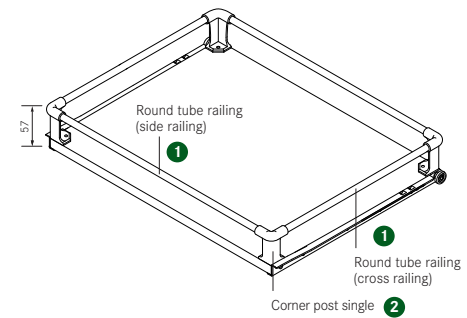
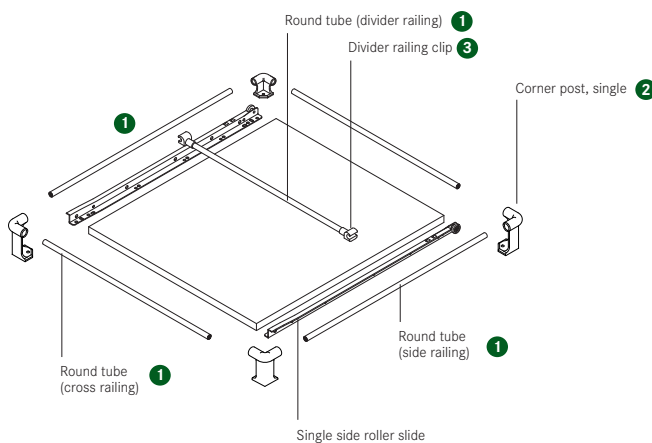
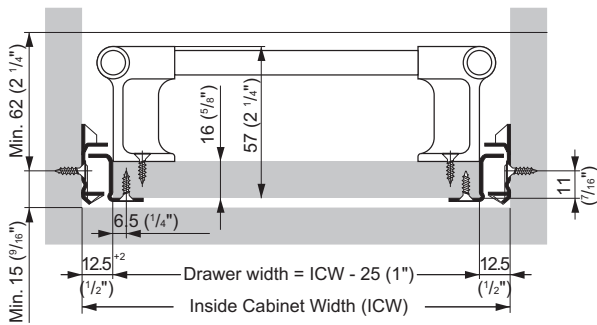
- Easy and quick to install with push-fit between round tube and corner post
- Epoxy coated aluminium tube
- Available in white (RAL 9010)
- For use with single extension 6610 slide

Railing for inset pull-out shelves



ID	Description	Item No.	PU
1	Round tube (Cut to size)	3570.1000.2	20
2	Corner post, single	3576.2.VE20	20
3	Divider railing clip	3575.2.VE20	20

Installation dimensions



Calculation the length of railings

Side railing = nominal length - 25 mm (1")

Cross railing = inside cabinet width - 33 mm (1 5/16")

Divider railing = nominal length - 40 mm (1 9/16")

PU = Packing Unit





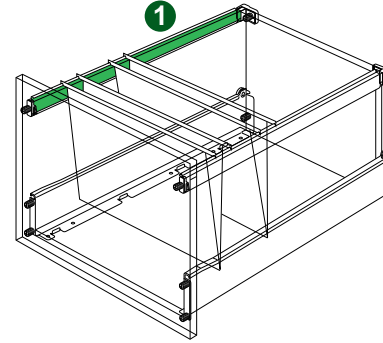
Zargen Pendaflex

File Railing

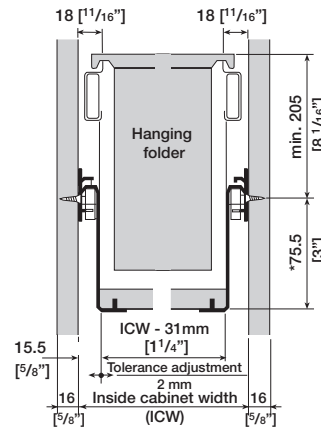
System 6110



- The Pendaflex Rail 6110 provides a lip for drop in file folders. It is cut to a desired length and attached over the 6100 side railing.
- Use in conjunction with Zargen 6026, 6036, 6136, and 6236
- Easy to construct



ID	Description	Length	Color	Item No.	PU
1	Pendaflex Rail 6110	1100 [43 3/8"]	White	99062-05	20

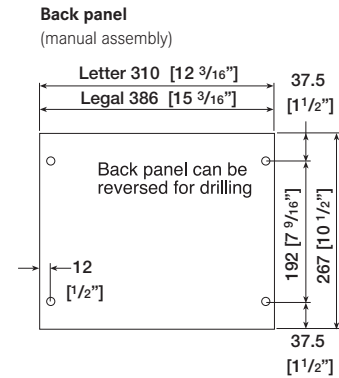
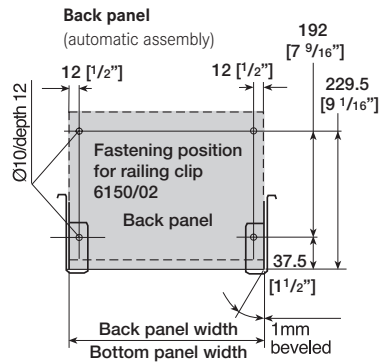
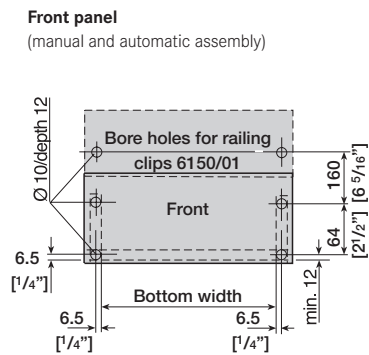


*This measurement is used for the 6036. For other sides, refer to the appropriate page.

*Inside Cabinet Width (ICW)

Legal size paper:
 ICW = 418mm [16 1/2"]
 Letter size paper:
 ICW = 342mm [13 3/8"]

Drilling Patterns for Pendaflex File Drawers



PU = Packing Unit





Zargen Pendaflex

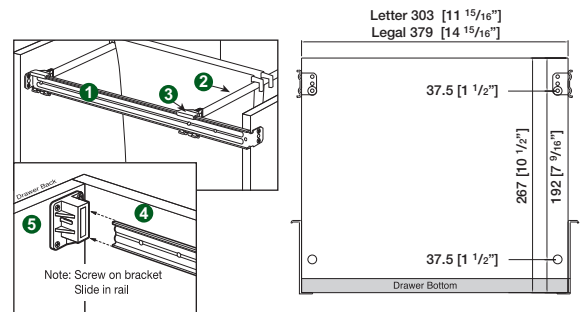


Zargen Pendaflex



- Designed for use with metal drawer system or wood drawer application
- File bar accommodates lateral file application
- Easy to construct
- Available in white finish
- Made in the USA

ID	Description	Length	Slide Length	Color	Item #	PU
1	Side Rails	US/468.5 File Rail	470 [18 1/2"]	White	01692-05	20
		US/508.5 File Rail	510 [20 1/8"]		01690-05	
		US/548.5 File Rail	550 [21 3/8"]		01686-05	
2	File Bar	711 [28"]	30890-05			
3	Lateral File Clip				30954-39	
4	Partition Rails	US/442.5 File Rail	470 [18 1/2"]		01693-05	
		US/482.5 File Rail	510 [20 1/8"]	01691-05		
		US/522.5 File Rail	550 [21 3/8"]	01687-05		
5	Partition Bracket			30956-39		



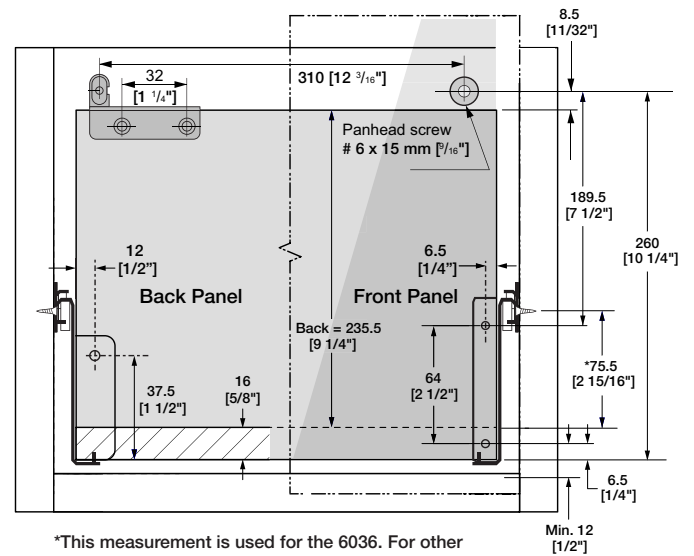
File Railing System 1



- Keep hanging files organized
- Install file railing system independent from drawer system
- Front tilt adjustment
- Oval aluminum anodized
- Consists of:
 - 2 Side gallery rails
 - 2 Front fixing parts
 - 2 Back fixing parts
 - 2 Cover caps

ID	Description	Length	Item No.	PU
1	File railing set	500 [20"]	3595.500.22	20
		550 [22"]	3595.550.22	
2	Divider Rail	1200 [47 1/4"]	3597.1200.22	
3	Divider Clip, Grey		3599	

Use 2 and 3 for lateral file system.



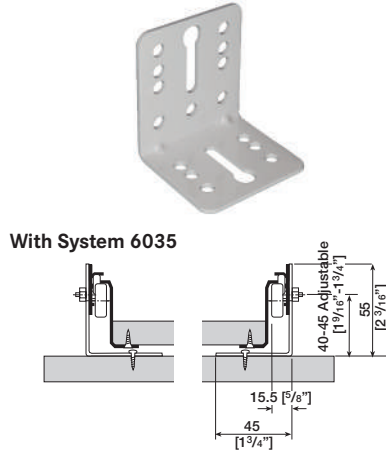
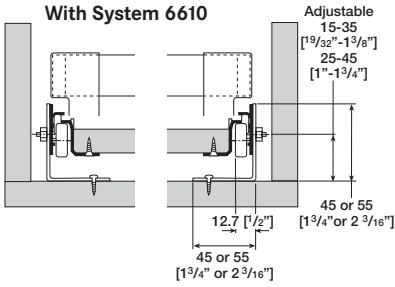
PU = Packing Unit



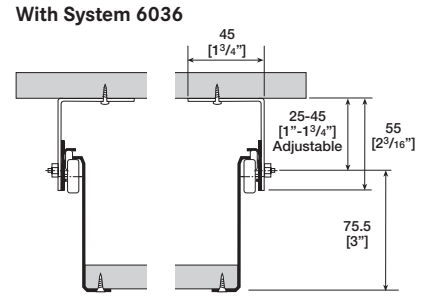


6196 Bracket

- Attaches cabinet member of drawer slide if no side panel is available
- Bracket can be used for right or left
- Polybag includes 4 brackets with screws



Description	Item No.	PU
6196 Bracket	00432-08	50



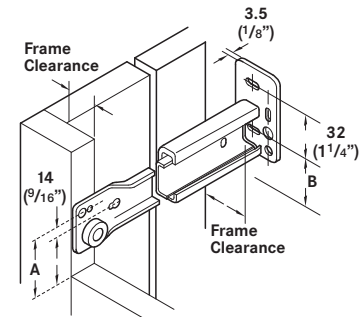
Adapter bracket for Zargen system

- Drawer slide can slide in or out to achieve different cabinet depth
- Extra long length
- Bracket can be stapled or screwed

Description	Item No.	PU
Adapter Bracket, LH	13946-17	500
Adapter Bracket, RH	13947-17	500



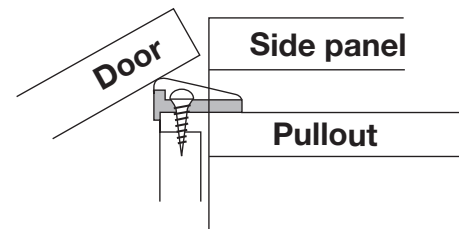
Note: Dimensions "A" and "B" vary according to slide used.



Drawer/door protector

Attaches to side of wooden pull-out. Designed for inset pull-out trays for frame or frameless cabinetry.

Description	Item No.	PU
Door/drawer Protector	13096-43	500



PU = Packing Unit

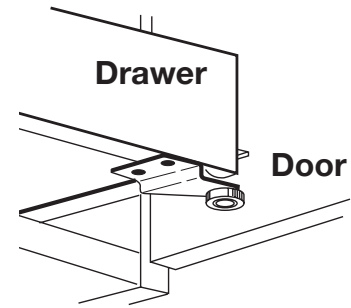




Zargen Accessories

Door protector for pull-outs

Protects door when inset trays are pulled out.
Attached to the bottom of the pull-out, designed for use with the 6610.

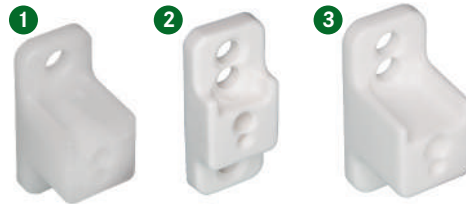


Description	Item No.	PU
6197 Protector, left	88094-09	100
6197 Protector, right	88095-09	100

6195 Spacer for case member

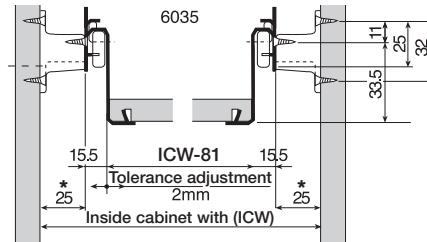
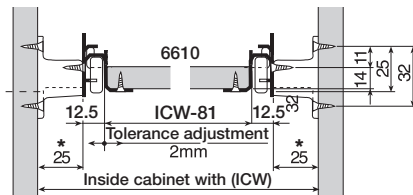
Designed for doors protruding into the cabinet and for inset drawers.

Description	Item No.	PU
1 6195 Spacer, 25mm	86478-39	20
2 6195 Spacer, 11mm*	89104-39	20
3 6195 Spacer/pin, 25mm	13097-39	20

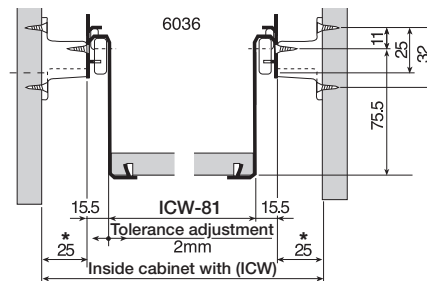


Installation Measurements for Captive Drawer Slide Systems with Spacers

Fastening Screws-
Wood screws: 6x5/8"
Euro screws: 13mm



*Note: When using 6195 spacer 2, this measurement is 11mm.



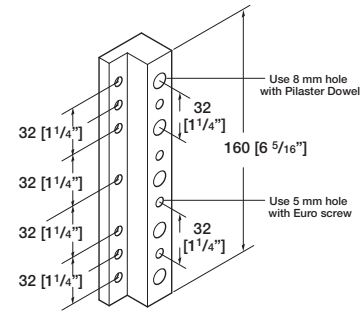
PU = Packing Unit



Zargen Accessories

Pilaster mounting bracket

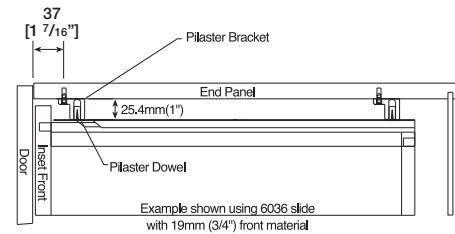
- Fits over 32mm line boring patterns
- Attaches to cabinet with Euro or wood screws
- Allows use of pilaster dowel on cabinet member for an adjustable roll out shelf.
- Allows roll out shelves to be adjustable in 32mm increments



Description	Item No.	PU
Pliaster Mounting Bracket	30912-12	200

Pilaster dowels

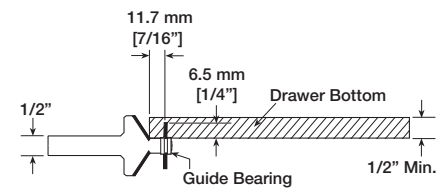
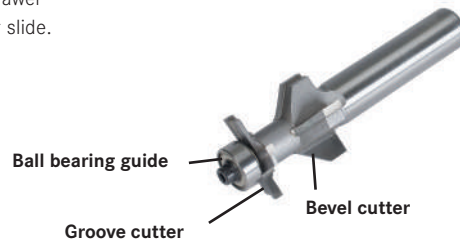
- Allows for construction of adjustable pull-outs with any Zargen Drawer Slide System when attached to cabinet member
- Dowel requires an 8mm x 5/8" deep hole
- Attaches with a #6 x 5/8" or #6 x 1/2" FHP screw



Description	Item No.	PU
Pliaster Dowel, black	00395-43	500

Zargen Router Bit

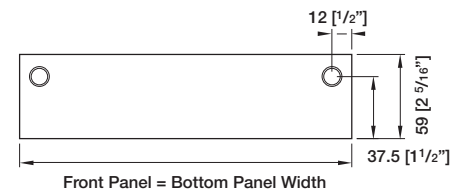
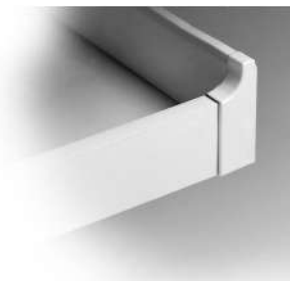
This bit is designed for grooving and beveling the drawer bottoms for the lipped version of the Zargen drawer slide. The bit comes only with a 1/2" shank.



Description	Item No.	PU
Zargen Router bit	00197-01	1

Roll-out tray bracket

- Allows 6036/6026 slide to be used as roll out tray
- Tray front is 59mm [2 5/16"]
- Bracket mounts to front of slide
- Polybag includes: 2 brackets, clips and screws
- Color: white



Description	Item No.	PU
Bracket -Polybag w/screws	30570-05	20
Bracket - Set	30561-15	300
#4 x 3/8", NI screw	00073-43	500

Note: Drawer bottom length is calculated by bottom panel length minus thickness of rollout tray front.

PU = Packing Unit





Zargen Accessories

Zargen front bracket

- Position bracket on the inside edge of the face frame with the tab resting on the cross rail
- Brackets can be stabled or screwed.

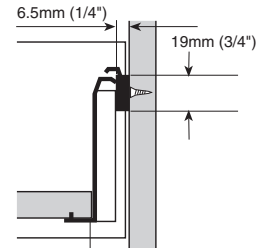


Description	Item No.	PU
Zargen Front Bracket	00228-09	100

6036 Spacer for inset drawers



Description	Item No.	PU
6036 Spacer for Inset	00035-42	100



Central locking device

- Use with most commercial gang lock system
- Provides necessary match for gang lock pins to engage



Description	Item No.	PU
Central locking device	88123-34	300

6036 Support bracket

- Attaches to the center of wide drawers to support the middle
- Elongated holes allow for drawer front adjustments



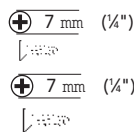
Description	Item No.	PU
Support Bracket, Nickel	22226-42	100

Rail clip insertion die

Description	Item No.	PU
Railing clip I/D	37086-01	1

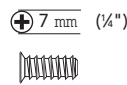


Wood Screws



Description	Item No.	PU
# 6 x 1/2" FHP, Nickel	81004-43	500
# 6 x 7/16" FHP, Nickel	81016-43	500
# 6 x 5/8" FHP, Nickel	81001-43	500
# 6 x 3/4" FHP, Nickel	81003-43	500
# 6 x 1" FHP, Nickel	81004-43	500

Euro Screws



Description	Item No.	PU
13mm (1/2"), Nickel	81015-43	500
18mm (11/16"), Nickel	83000-43	500
7.5mm (5/16"), Nickel	83001-43	500

PU = Packing Unit



Grass America Inc.
1202 NC Highway 66 South
Kernersville, NC 27284

Phone 1-800-334-3512
Fax 1-800-525-8406

Internet: www.grassusa.com
E-Mail: info@grassusa.com

www.grassusa.com

Grass Canada Inc.
10 Newgale Gate, Unit 7
Toronto, ON M1X 1C5

Phone 1-800-461-4975
Fax 1-416-335-5907

Internet: www.grasscanada.com
E-Mail: info@grasscanada.com